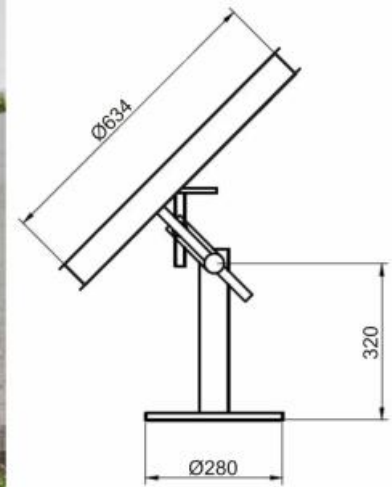


## J1033-SHADOWRING

Precision is  
our business



### APPLICATION

The use of a shadow ring in combination with a solar radiation detector provides the opportunity to measure the diffuse part of the solar radiation. The shadow ring J1033 ensures that the radiation sensor always remains in shade. Maintaining the shading will not require adjustment for several days.

This specific shadow ring unit is suitable for installation anywhere on earth and any common detector design can be utilized.

Because the ring will also block a small part of the diffuse sky radiation, an appropriate compensation is recommended to improve the measurement accuracy.

A detector base plate (101503), which allows mounting broadband detectors from CMS, EKO, Solar Light, YES, Scintec and Kipp&Zonen is included. Other base plates are available on request.

### Physical data

|                         |                    |
|-------------------------|--------------------|
| Weight                  | 10.5 kg            |
| Material                | anodised aluminium |
| Ring outer diameter     | 634 mm             |
| Ratio Ring width/radius | 0.24               |
| View angle              | 13.6°              |

### Packing Information:

|          |                |
|----------|----------------|
| Packing: | 660x660x300 mm |
| Weight:  | 13.5 kg        |

CMS Ing. Dr. Schreder GmbH  
Lofererstraße 32  
6322 Kirchbichl  
AUSTRIA

Tel: 0043 / (0)5332 / 77056-00  
Fax: 0043 / (0)5332 / 77056-14  
E-Mail: info@schreder-cms.com